

DOUBLE ROTOR BRAKE

Power-off, spring-applied brake



SPRING-APPLIED BRAKE DESCRIPTION

KEB spring-applied DC brakes provide failsafe, power-off brake engagement. The brakes are released when power is applied to the electromagnetic coil.

The spring-set brakes are designed to last even in the toughest applications. Each brake has multiple springs rated for 10+ million cycles. The brake operation is very basic – the only moving part is the armature. No linkages. No solenoids. No moving parts to wear and replace due to actuation.

DOUBLE ROTOR BRAKE ADVANTAGE

KEB Combistop spring-applied brakes have been used for 40+ years based on the same principal design. The double rotor brake allows us to use this same proven technology, but by adding on a second friction lining and flange the brake is able to double the torque in the same diameter package. This is very advantageous for theatre, hoist, robotics, and other designs where space is of major concern. It is also capable of handling dynamic or static braking up to 1800 RPM.

PRODUCT RANGE

- Torque range of 140 Nm (103 ft-lb) up to 1,500 Nm (1,106 ft-lb)
 - Lower torques available upon request
- Standard available coil voltages: 24, 105, 205 VDC
 - Additional voltages available upon request
- Imperial and metric bore dimensions supported
- Rated for use up to 1800 RPM

OPTIONAL ACCESSORIES

KEB double rotor brakes can be configured with options depending on the specific needs of the application.

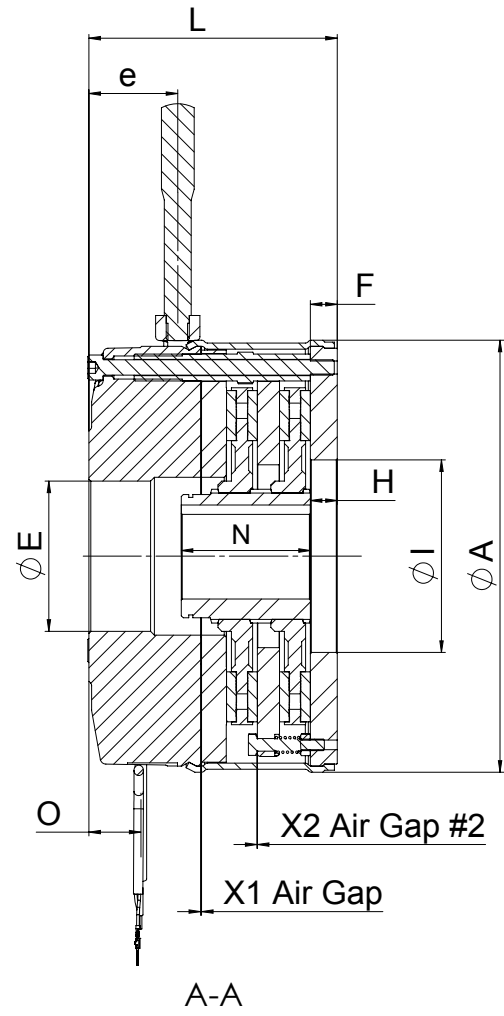
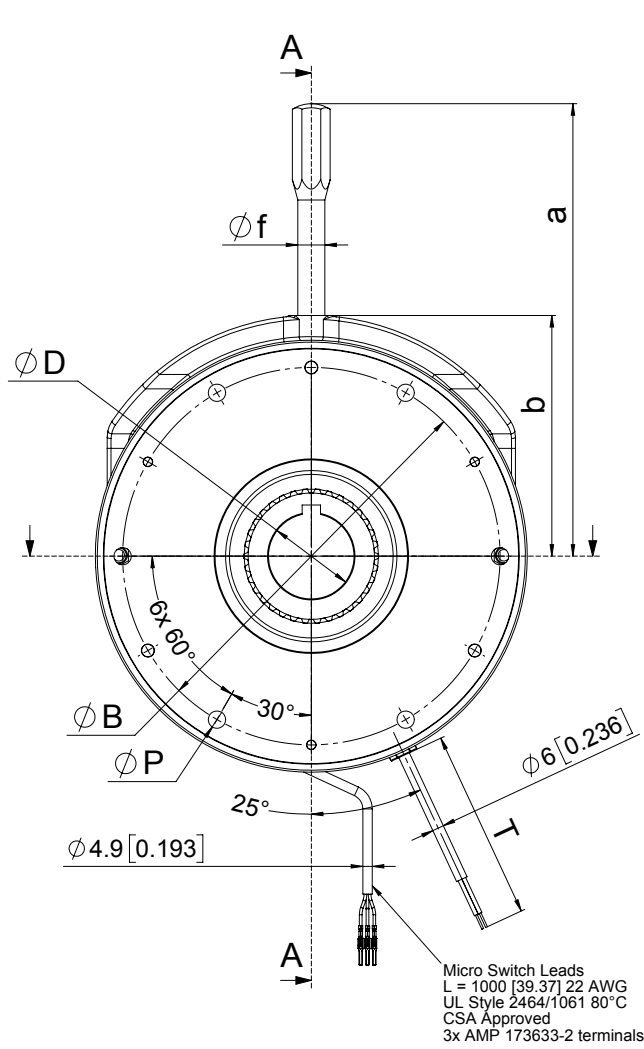
Typical brake options include:

- Manual hand release
- Rubber dust seal for increased protection from IP20 to IP44
- Micro switch to monitor brake engagement
- Micro switch to monitor brake wear
- Optional noise dampening design
- UL rated full wave or half wave rectifiers if only AC voltage supply is available



KEB America, Inc.
5100 Valley Industrial Blvd. S
Shakopee, MN 55379

www.kebamerica.com
info@kebamerica.com



SIZE	VERSION N (DYNAMIC)		VERSION H (STATIC)	
	M2N (NM)	P20 (W)	M2N (NM)	P20 (W)
06	2x 70	62	2x 90	75
07	2x 100	65	2x 150	90
08	2x 150	75	2x 225	90
09	2x 250	80	2x 375	115
10	2x 500	130	2x 750	180

* All dimensions in mm
 * Dimensions subject to change
 * 100% on time
 * Keyway according to DIN 6885/1

SIZE	ØD																	
	A	B	MAX	E (H8)	F	H	I	L	N	O	P	T	X1	X2	a	b	e	f
06	164	145	32	47	14	14	70	105	52	20	6x 9	500	0.4	0.2	176	96	40	10
07	188	170	45	62	17	17	85	119	52	21.5	6x 9	750	0.5	0.3	225	115	41	14
08	225	196	50	78	14	14	100	129	67	27	6x 9	750	0.5	0.2	235	125	46	14
09	253	230	60	97	15	15	120	144	82	28	6x 11	750	0.5	0.3	256	146	56	14
10	307	278	75	120	15	15	162	155	97	25	6x 11	750	0.5	0.3	335	175	59	16

Sizing, availability, and more information

Call KEB at (952) 224-1400 for application sizing and questions on KEB double rotor brakes.



KEB America, Inc.
 5100 Valley Industrial Blvd. S
 Shakopee, MN 55379

www.kebamerica.com
 info@kebamerica.com